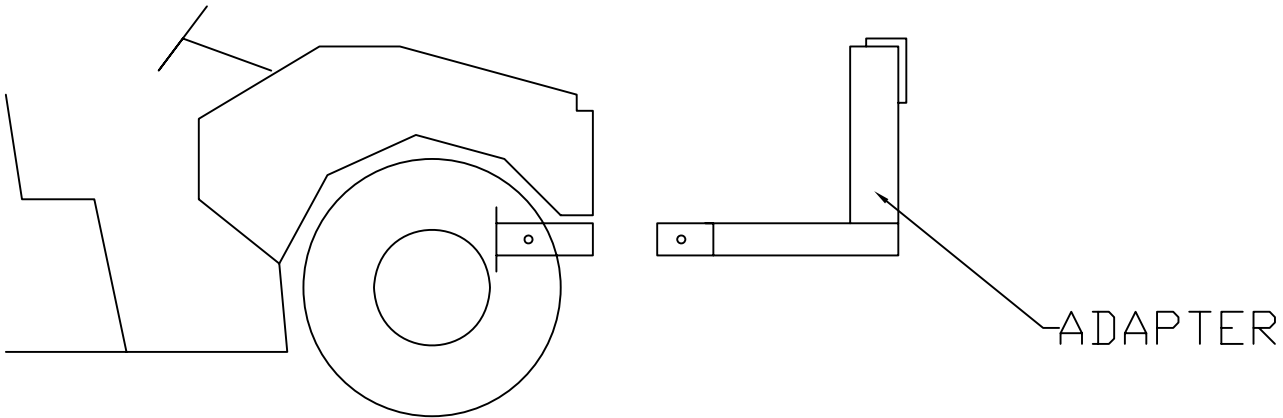


## JOHN DEERE GATOR ADAPTER



### SAFETY WARNING

- 1-ALWAYS WEAR EYE PROTECTION.
- 2-PLACE KEY SWITCH IN OFF POSITION.
- 3-SET PARKING BRAKE.

### INSTALLATION INSTRUCTION

- 1-IF CART IS EQUIPPED WITH BUMPER,BUMPER MUST BE REMOVED PRIOR TO INSTALLATION.
- 2- TOOLS NEEDED 1 (ONE) 9/16 SOCKET AND ONE 9/16 WRENCH.
- 3-PLACE ADAPTER ON FRONT OF CART USING THE 4 BOLTS W/NUTS SUPPLIED W/ADAPTER.(AS SHOWN ON ILLUSTRATION ABOVE)
- 4- MAKE SURE TO TIGHTEN ALL BOLTS EVENLY.